

Power Supply in Metal Can

ELK-P112 / P112K

ELK-P124 / P124K

The ELK-P112 (12 Volt @ 1 Amp) and ELK-P124 (24 Volt @ .8 Amps) are high quality Power Supplies featuring plug-in transformer and metal enclosure. Both feature automatic resetting “fuseless” overload protection and diagnostic LED indicators. They are ideal for alarm, access control, CCTV, and many other applications. Each can be ordered complete with rechargeable battery by adding the “K” suffix. The P112K includes a 12V 5Ah battery and the P124K includes two (2) 12V 5Ah batteries.



[ELK-P112K pictured]

Features

- 12 VDC Output (P112) or 24 VDC Output (P124)
- Auto Reset “fuseless” Overload Protection (PTC).
- Visual AC and DC Power Indicators.
- Heavy Duty Metal Enclosure
- AC and DC Surge Suppression.
- Lifetime Limited Warranty.

Specifications

- Battery Recharging Capacity: 1.2Ah to 10 Ah.
- Input P112: 16.5 VAC (TRG-1640 Transformer)
P124: 24 VAC (TRG-2440 Transformer)
- Output P112: 12VDC @ 1.2 Amps
P124: 24VDC @ .8 Amps
- Dimensions: 7.5"W x 12.5"H x 3.75"D.

ELK- P412 / P412K

The ELK-P412 is a high current power supply packed complete with metal can, AC power cord, and a power distribution board. The distribution board features three (3) sets of DC power terminals, each with automatic resetting overload protection and power ON indicator. It also features a master On/Off switch and built-in low battery cut-off to protect the backup battery from deep discharging if AC power is off for an extended time. It may be ordered with a 12V, 8Ah rechargeable battery by adding the “K” suffix.



[ELK-P412K pictured]

Features

- Switching Power Supply, no transformer needed.
- Auto Reset “fuseless” Overload Protection (PTC).
- Three (3) Individual Power Outputs.
- Master Power On/Off Switch.
- Built-in Low Battery Cutoff Circuit.
- Visual Power Indicators.
- AC and DC Surge Suppression.
- Lifetime Limited Warranty.

Specifications

- Regulated 12 Volts D.C. Output.
- Continuous Current Rating: 4 Amps.
- AC Input Voltage Range: 85~264 VAC @ 47-63Hz.
- Low Battery Cutoff: \approx 10 Volts.
- Ripple and Noise: 100mV p-p.
- Dimensions: 7.5"W x 12.5"H x 3.75"D.

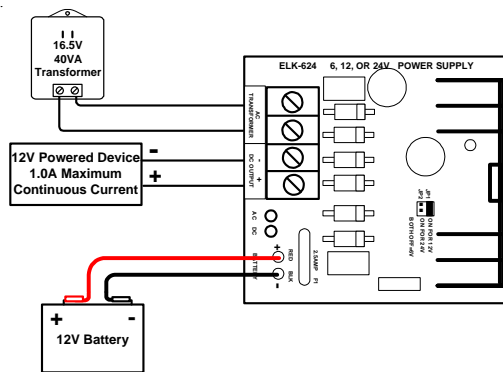
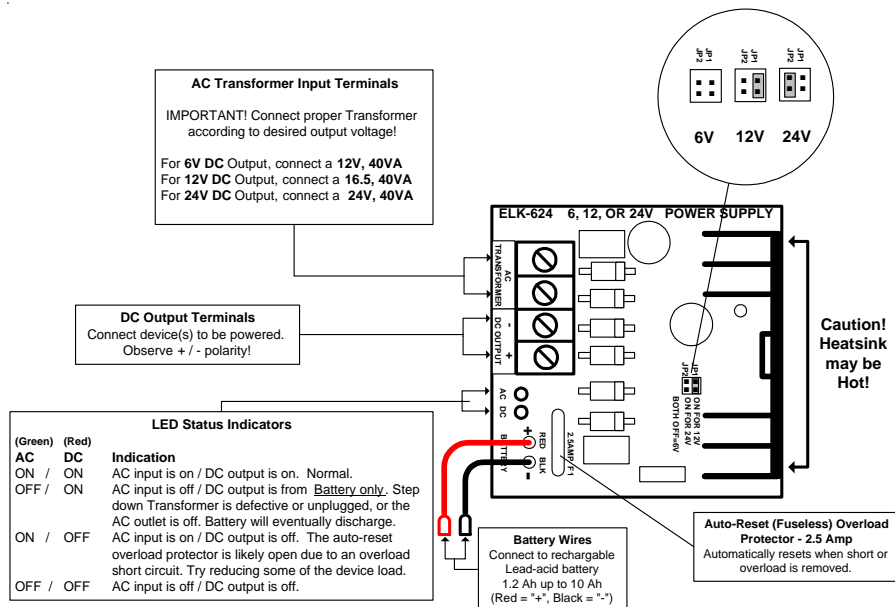
PO Box 100 • Hildebran, NC 28637 • 800-797-9355 • 828-397-4200
Fax 828-397-4415 • www.elkproducts.com • info@elkproducts.com

03/04

ELK
PRODUCTS, INC.

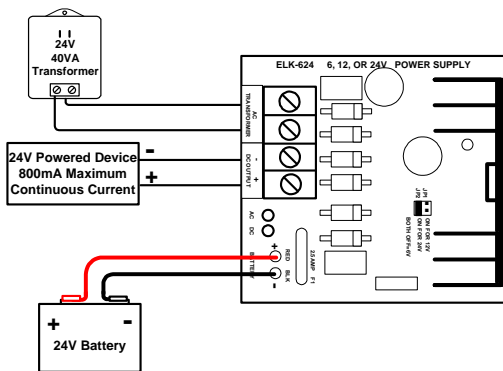
Instructions

ELK-P112 / P124



P112 - 12 VOLT OPERATION

For 12 volt output, place the small black mini-jumper on the header pins marked JP1. (See Figure 1 above) Make certain that header pin JP2 is vacant. Connect a 16.5 Vac, 40VA transformer to the AC TRANSFORMER terminals and connect a 12V battery to the red (+) and black (-) battery wires.



P124 - 24 VOLT OPERATION

For 24 volt output, place the small black mini-jumper on the header pins marked JP2. (See Figure 1 above) Connect a 24 Vac, 40VA transformer to the AC TRANSFORMER terminals. Connect two (2) 12V batteries in series using a jumper wire and the red (+) and black (-) battery wires.

INSTALLATION / OPERATION

1. Set Master Power Switch (SW1) to Off.
2. Mount enclosure in secure location near an AC power outlet that is not controlled by a switch. (supplied power cord is 6 feet long)
3. Connect devices to be powered to the screw terminals for DC output. The power distribution board has three sets of outputs, each set is limited to 2.5 amps. If a device requires more that 2.5 Amps, parallel two sets of terminals. (DO NOT EXCEED 4 AMPS)
4. Connect Battery to the battery wires, observe polarity.
5. Plug in the AC cord. **Warning High Voltage** is now present at the power supply AC input terminals.
6. Set the Master Power Switch to Power On. The LEDs at the power outputs should be on (if any are off, check for overloaded condition). The connected devices are now powered.
7. If AC power is lost, the Low Battery circuit will disconnect the battery if it's voltage drops below 10 Vdc. This helps to prevent "deep discharging" of the battery.

